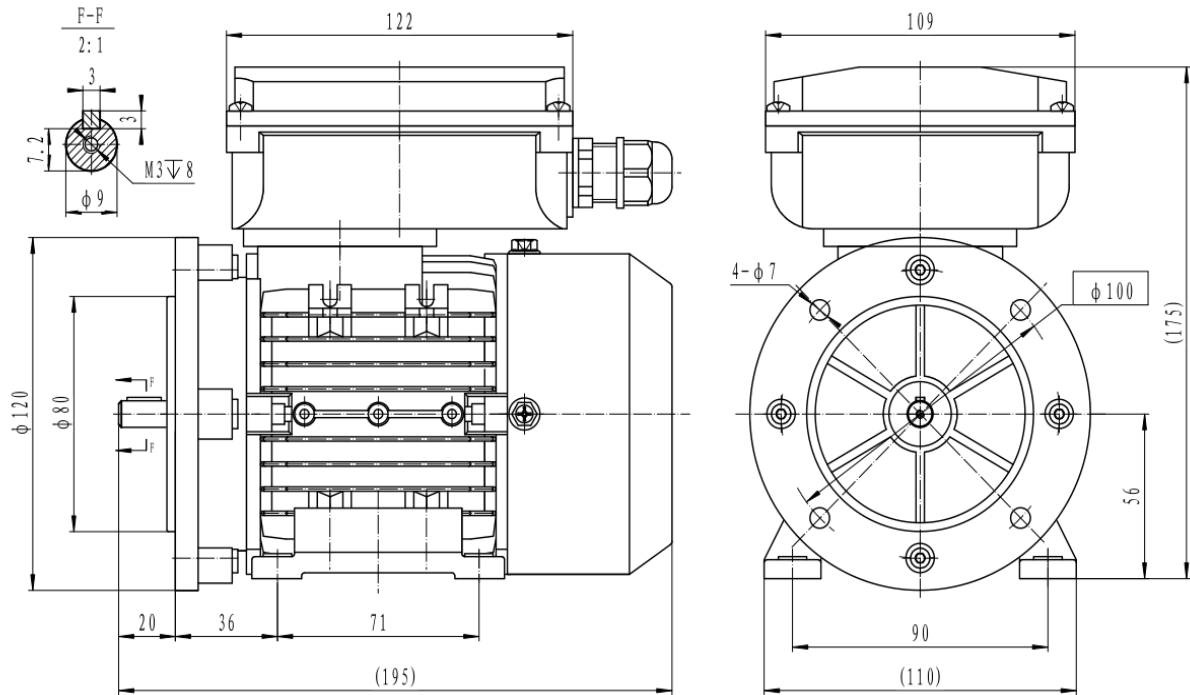


## Single Phase Motors-Aluminum Frame - PSPMY56B4 B35



Type	<b>PSPMY56B4</b>
Frame Size	<b>56</b>
Capacity	<b>0.09kW</b>
Speed / Pole	<b>1350 RPM / 4 Pole</b>
Mounting Position	<b>IMB35</b>
Insulation Class	<b>F</b>
Protection Class	<b>IP55</b>
Duty Cycle	<b>S1 Continuous</b>
Temperature Rise Class	<b>B</b>
Ambient temp. (°C)	<b>45°C</b>
Cooling method	<b>IC411 self-Ventilated</b>
Power Factor COS (phi)	<b>0.92</b>

Efficiency	<b>IE1 Efficiency</b>
T-starting / T-nominal	<b>0.45</b>
T-max/Tn	<b>1.7</b>
Full Load Torque	<b>0.64Nm</b>
I-starting / I-nominal	<b>2.9</b>
Noise	<b>70 dB</b>
Bearing DE	<b>6201 C3</b>
Bearing NDE	<b>6201 C3</b>
Weight (kg)	<b>3</b>
Run capacitor value	<b>8 µF</b>
Run capacitor voltage	<b>450V</b>

### Electrical data:

Rated Power (kW)	0.09
Frequency (Hz)	50
Voltage (V)	230
Speed (RPM)	1350
Full load current (A)	0.85