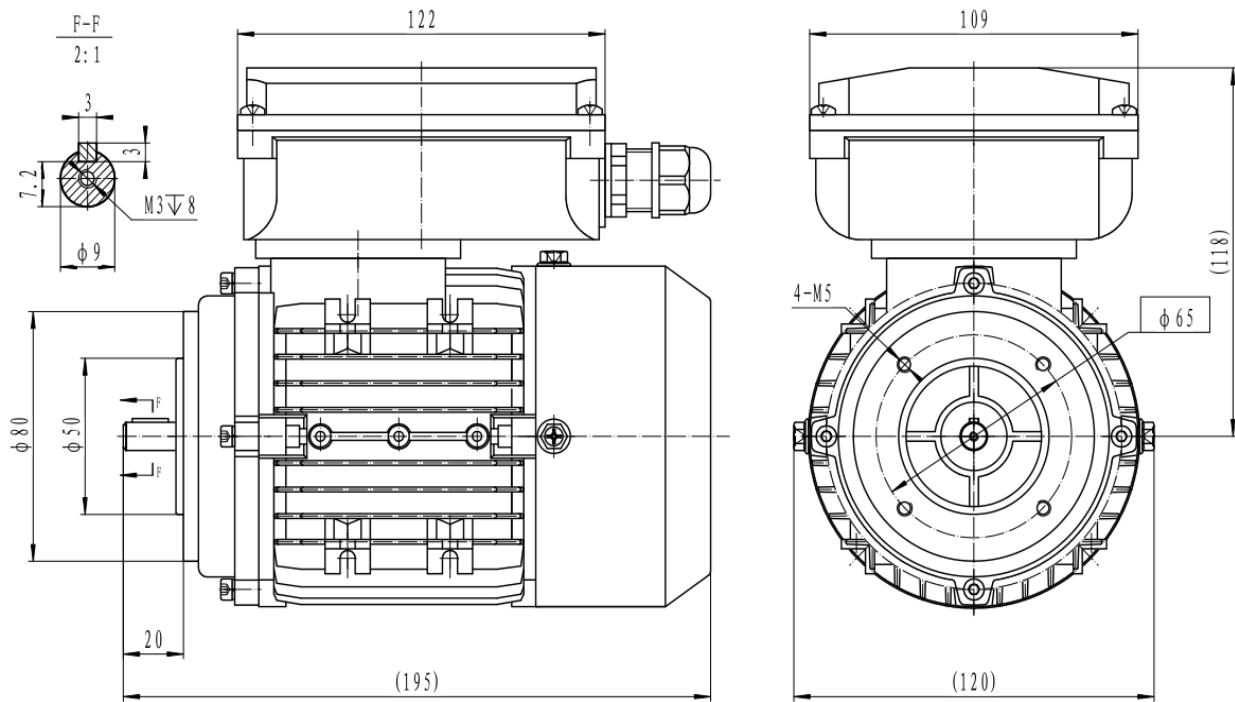


Single Phase Motors-Aluminum Frame - PSPMY56B4 B14



Type	PSPMY56B4
Frame Size	56
Capacity	0.09kW
Speed / Pole	1350 RPM / 4 Pole
Mounting Position	IMB14
Insulation Class	F
Protection Class	IP55
Duty Cycle	S1 Continuous
Temperature Rise Class	B
Ambient temp. (°C)	45°C
Cooling method	IC411 self-Ventilated
Power Factor COS (phi)	0.92

Efficiency	IE1 Efficiency
T-starting / T-nominal	0.45
T-max/Tn	1.7
Full Load Torque	0.64Nm
I-starting / I-nominal	2.9
Noise	70 dB
Bearing DE	6201 C3
Bearing NDE	6201 C3
Weight (kg)	3
Run capacitor value	8 µF
Run capacitor voltage	450V

Electrical data:

Rated Power (kW)	0.09
Frequency (Hz)	50
Voltage (V)	230
Speed (RPM)	1350
Full load current (A)	0.85