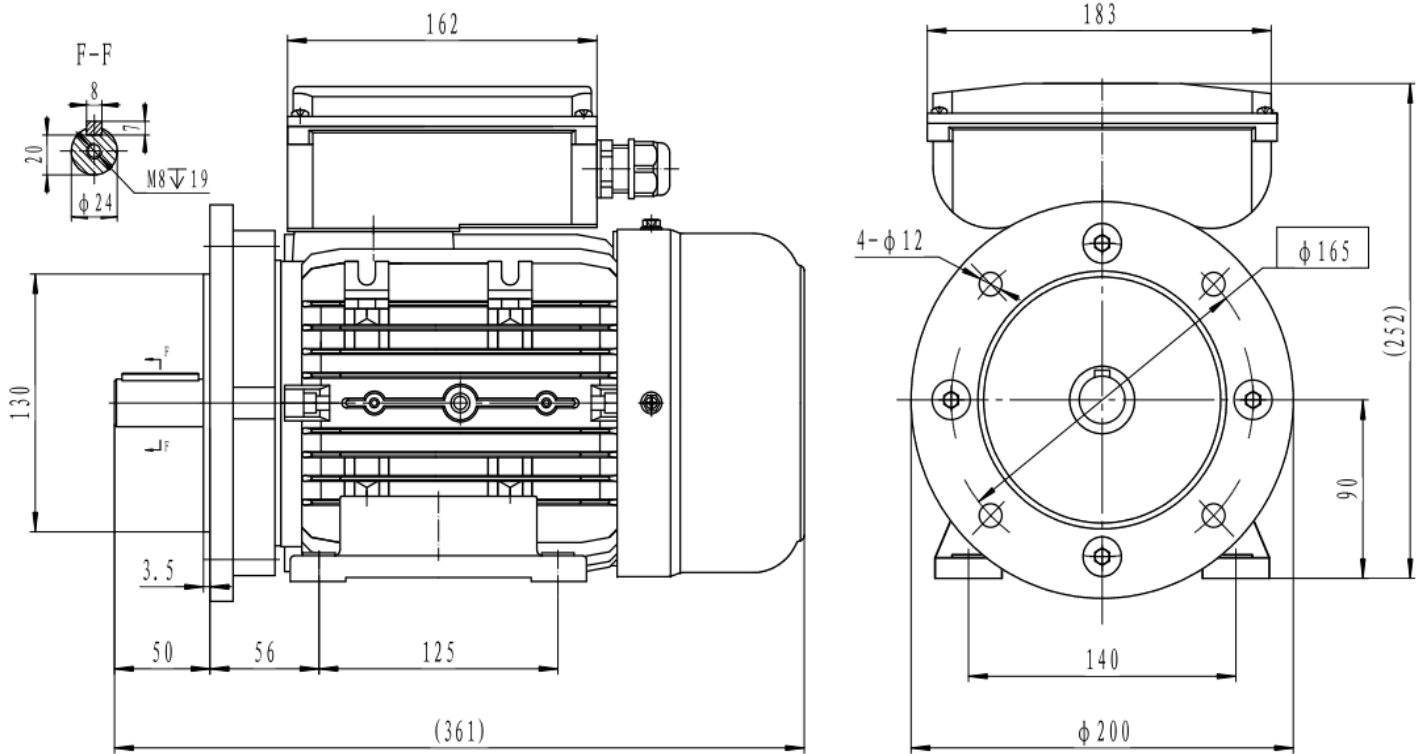


## Single Phase Motors-Aluminum Frame - PSPML90L4 B35



|                        |                              |
|------------------------|------------------------------|
| Type                   | <b>PSPML90L4</b>             |
| Frame Size             | <b>90</b>                    |
| Capacity               | <b>1.5kW</b>                 |
| Speed / Pole           | <b>1410 RPM / 4 Pole</b>     |
| Mounting Position      | <b>IMB35</b>                 |
| Insulation Class       | <b>F</b>                     |
| Protection Class       | <b>IP55</b>                  |
| Duty Cycle             | <b>S1 Continuous</b>         |
| Temperature Rise Class | <b>B</b>                     |
| Ambient temp. (°C)     | <b>45°C</b>                  |
| Cooling method         | <b>IC411 self-Ventilated</b> |
| Power Factor COS (phi) | <b>0.95</b>                  |
| I-starting / I-nominal | <b>5</b>                     |

|                         |                                      |
|-------------------------|--------------------------------------|
| Efficiency              | <b>IE1 Efficiency</b>                |
| T-starting / T-nominal  | <b>2.5</b>                           |
| T-max/Tn                | <b>1.8</b>                           |
| Full Load Torque        | <b>10.16Nm</b>                       |
| Centrifugal switch      | <b>Electronic centrifugal switch</b> |
| Noise                   | <b>78 dB</b>                         |
| Bearing DE              | <b>6205</b>                          |
| Bearing NDE             | <b>6204</b>                          |
| Weight (kg)             | <b>16</b>                            |
| Run capacitor value     | <b>40 µF</b>                         |
| Run capacitor voltage   | <b>450V</b>                          |
| Start capacitor value   | <b>200 µF</b>                        |
| Start capacitor voltage | <b>250V</b>                          |

### Electrical data:

|                       |      |
|-----------------------|------|
| Rated Power (kW)      | 1.5  |
| Frequency (Hz)        | 50   |
| Voltage (V)           | 230  |
| Speed (RPM)           | 1410 |
| Full load current (A) | 8.45 |