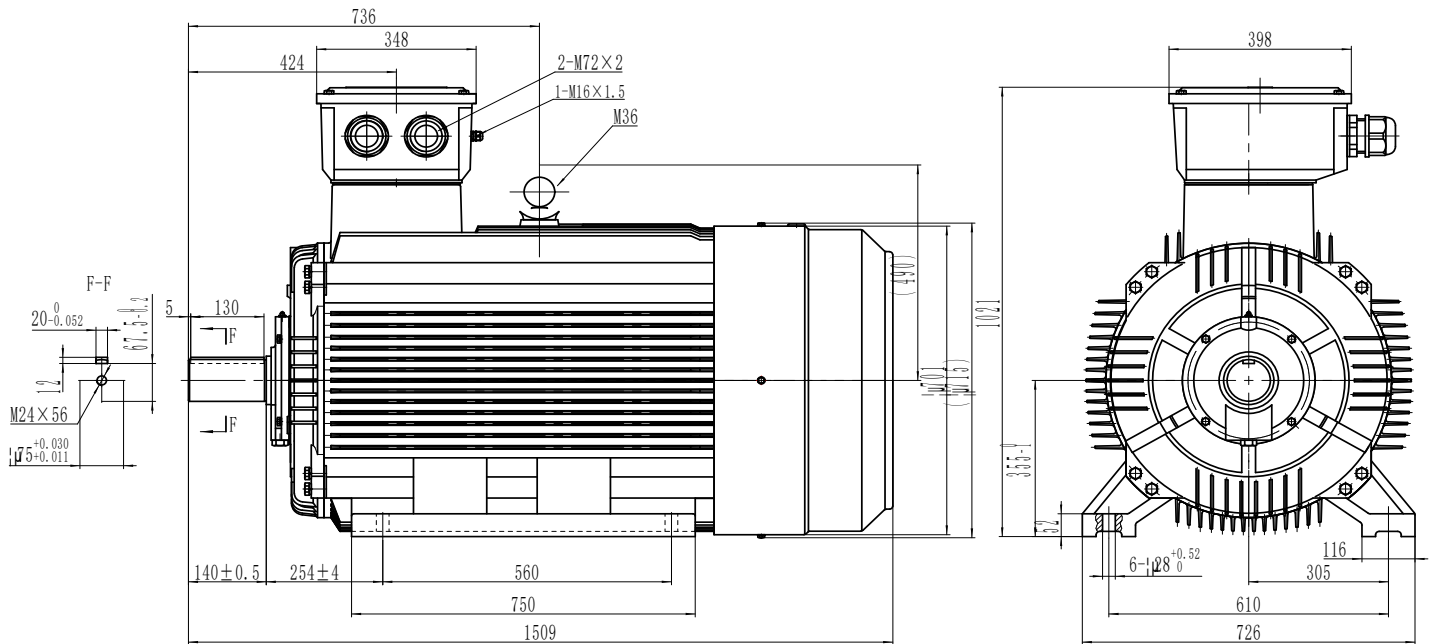


Three Phase Electric Motors-Cast iron Frame - PM3C355M2-B3



Type	PM3C355M2-B3
Frame Size	355M
Capacity	250kW
Speed / Pole	2980RPM / 2 Pole
Mounting Position	IMB3
Insulation Class	F
Protection Class	IP55
Duty Cycle	S1 Continuous
Temperature Rise Class	B
Ambient temp. (°C)	45°C
Cooling method	IC411 self-Ventilated

Efficiency	IE3 Premium Efficiency
Power Factor COS (phi)	92%
I-starting / I-nominal	6.7
T-starting / T-nominal	1.71
T-max/Tn	2.3
Full Load Torque	801.5Nm
Thermal protection	PTC thermistor
Noise	90.2dB
Bearing DE	SKF 6319
Bearing NDE	SKF 6319
Weight (kg)	1643

Electrical data:

Rated Power (kW)	250		243		300		291
Frequency (Hz)	50		50		60		60
Voltage (V)	400	690	380	660	480	830	440
Speed (RPM)	2980	2980	2980	2980	3570	3570	3570
Connection	Δ	Y	Δ	Y	Δ	Y	Δ
Full load current (A)	409	236.4	421	243.1	409	236.4	421