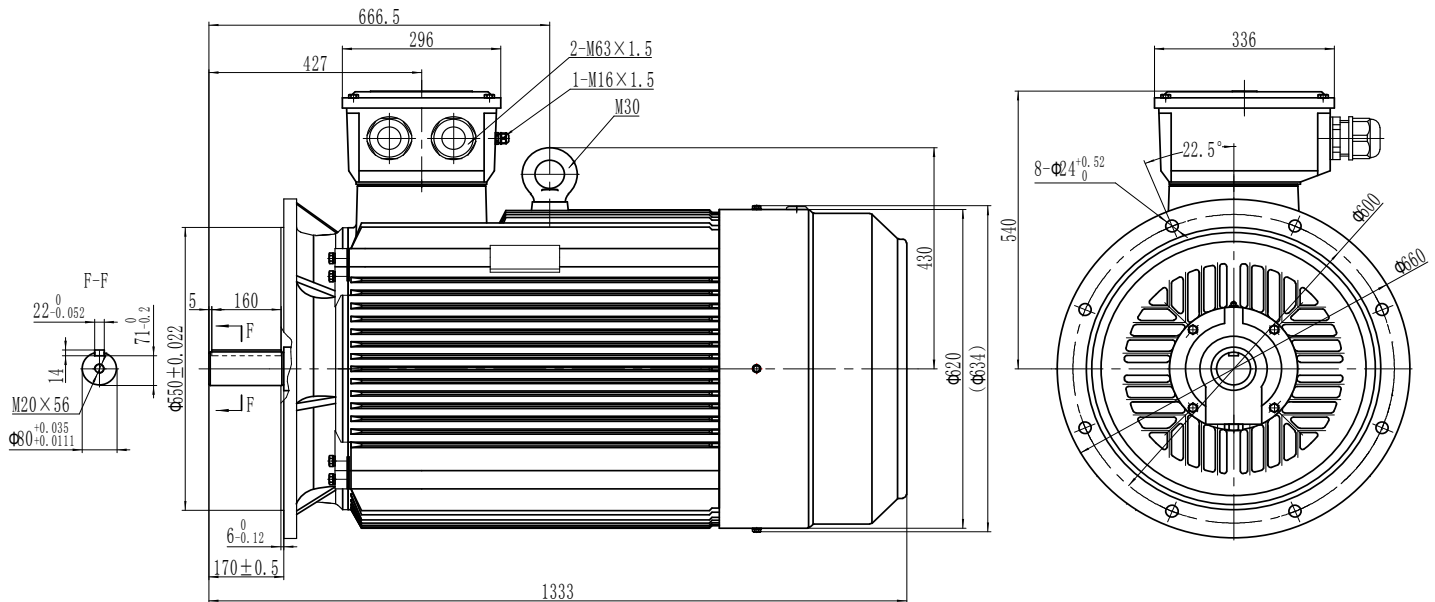


## Three Phase Electric Motors-Cast iron Frame - PM3C315M4-B5



Type	PM3C315M4-B5
Frame Size	315M
Capacity	132kW
Speed / Pole	1490RPM / 4 Pole
Mounting Position	IMB5
Insulation Class	F
Protection Class	IP55
Duty Cycle	S1 Continuous
Temperature Rise Class	B
Ambient temp. (°C)	45°C
Cooling method	IC411 self-Ventilated

Efficiency	IE3 Premium Efficiency
Power Factor COS (phi)	88%
I-starting / I-nominal	8.1
T-starting / T-nominal	2.51
T-max/Tn	2.8
Full Load Torque	847Nm
Thermal protection	PTC thermistor
Noise	85.3dB
Bearing DE	SKF NU319
Bearing NDE	SKF 6319
Weight (kg)	993

### Electrical data:

Rated Power (kW)	132	128	158.4	153			
Frequency (Hz)	50	50	60	60			
Voltage (V)	400	690	380	660	480	830	440
Speed (RPM)	1490	1490	1490	1490	1775	1775	1775
Connection	$\Delta$	Y	$\Delta$	Y	$\Delta$	Y	$\Delta$
Full load current (A)	226	130.8	232	134.1	226	130.8	232