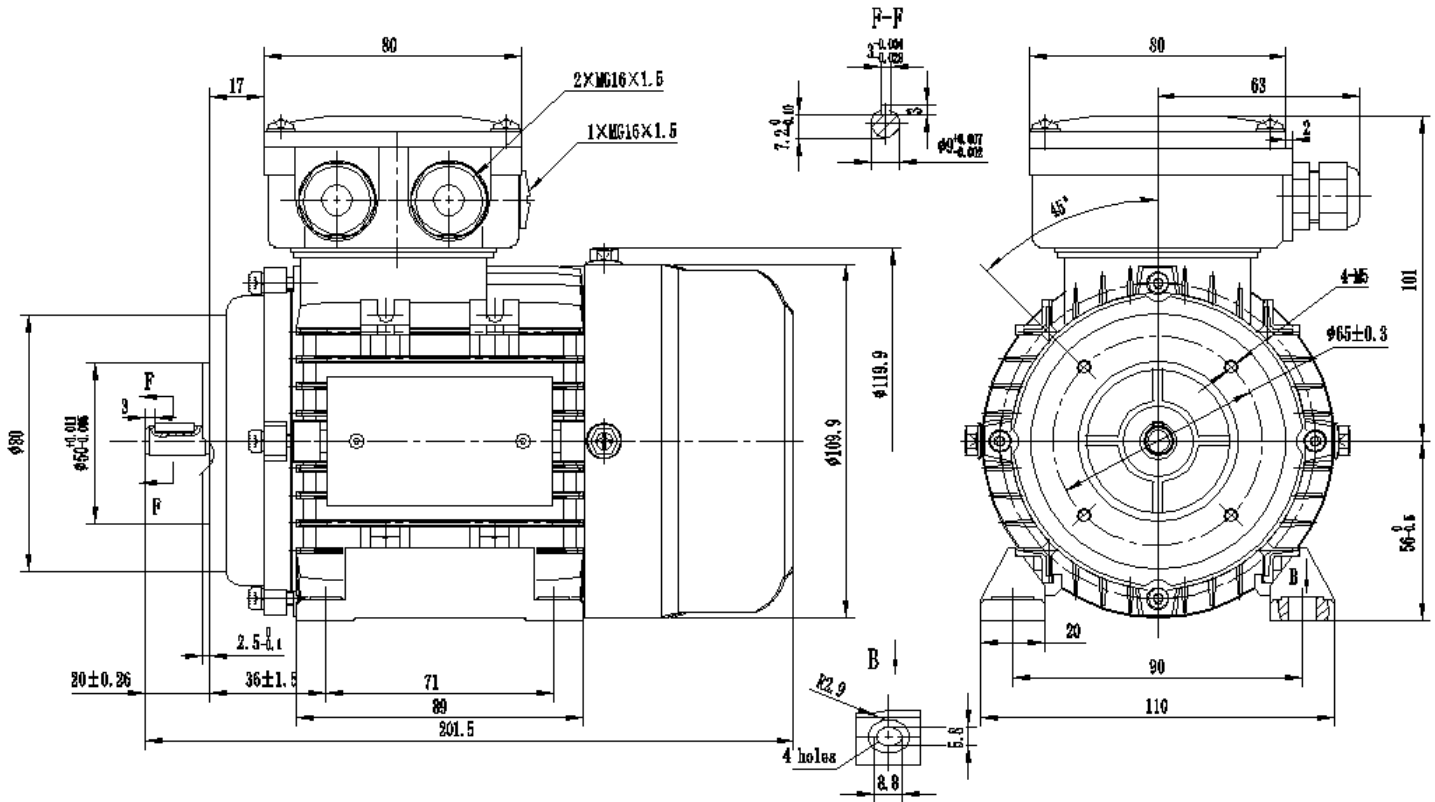


Three Phase Electric Motors-Aluminum Frame - PM1A56C4



| | |
|------------------------|-----------------------|
| Type | PM1A56C4 PTC |
| Frame Size | 56 |
| Capacity | 0.12kW |
| Speed / Pole | 1350 RPM / 4 Pole |
| Mounting Position | IMB34 |
| Insulation Class | F |
| Protection Class | IP55 |
| Duty Cycle | S1 Continuous |
| Temperature Rise Class | B |
| Ambient temp. (°C) | 45°C |
| Cooling method | IC411 self-Ventilated |

| | |
|------------------------|----------------|
| Efficiency | IE1 Efficiency |
| Power Factor COS (phi) | 63% |
| I-starting / I-nominal | 6.0 |
| T-starting / T-nominal | 2.2 |
| T-max/Tn | 2.4 |
| Full Load Torque | 0.85Nm |
| Thermal protection | PTC thermistor |
| Noise | 52dB |
| Bearing DE | SKF 6201 C3 |
| Bearing NDE | SKF 6201 C3 |
| Weight (kg) | 4 |

Electrical data:

| | | | | | | | | |
|-----------------------|------|------|------|------|------|------|------|--|
| Rated Power (kW) | 0.12 | | 0.12 | | 0.14 | | 0.14 | |
| Frequency (Hz) | 50 | | 50 | | 60 | | 60 | |
| Voltage (V) | 230 | 400 | 220 | 380 | 276 | 480 | 440 | |
| Speed (RPM) | 1350 | 1350 | 1350 | 1350 | 1620 | 1610 | 1620 | |
| Connection | Δ | Y | Δ | Y | Δ | Y | Y | |
| Full load current (A) | 0.9 | 0.5 | 0.92 | 0.53 | 0.9 | 0.5 | 0.53 | |