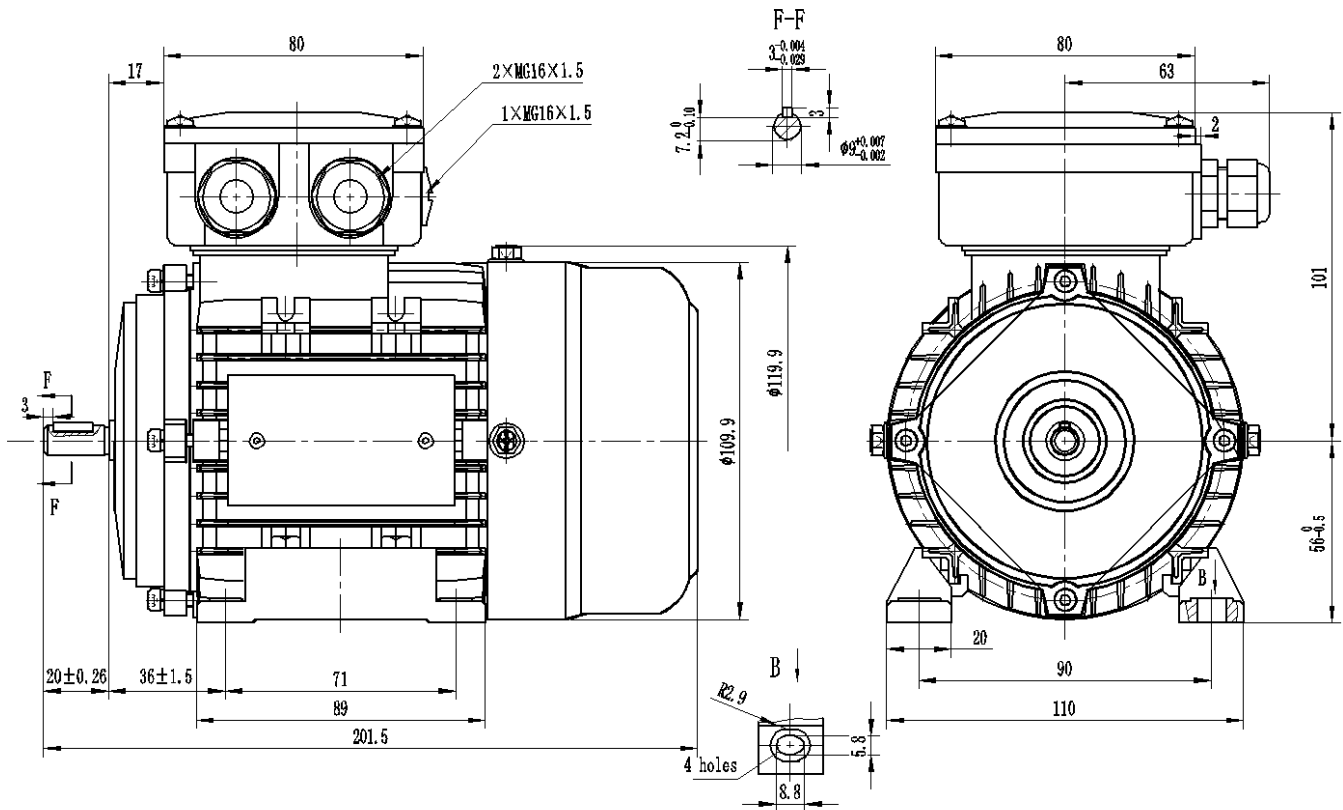


Three Phase Electric Motors-Aluminum Frame - PM1A56C4



Type	PM1A56C4 PTC
Frame Size	56
Capacity	0.12kW
Speed / Pole	1350 RPM / 4 Pole
Mounting Position	IMB3
Insulation Class	F
Protection Class	IP55
Duty Cycle	S1 Continuous
Temperature Rise Class	B
Ambient temp. (°C)	45°C
Cooling method	IC411 self-Ventilated

Efficiency	IE1 Efficiency
Power Factor COS (phi)	63%
I-starting / I-nominal	6.0
T-starting / T-nominal	2.2
T-max/Tn	2.4
Full Load Torque	0.85Nm
Thermal protection	PTC thermistor
Noise	52dB
Bearing DE	SKF 6201 C3
Bearing NDE	SKF 6201 C3
Weight (kg)	4

Electrical data:

Rated Power (kW)	0.12		0.12		0.14		0.14
Frequency (Hz)	50		50		60		60
Voltage (V)	230	400	220	380	276	480	440
Speed (RPM)	1350	1350	1350	1350	1620	1610	1620
Connection	Δ	Y	Δ	Y	Δ	Y	Y
Full load current (A)	0.9	0.5	0.92	0.53	0.9	0.5	0.53