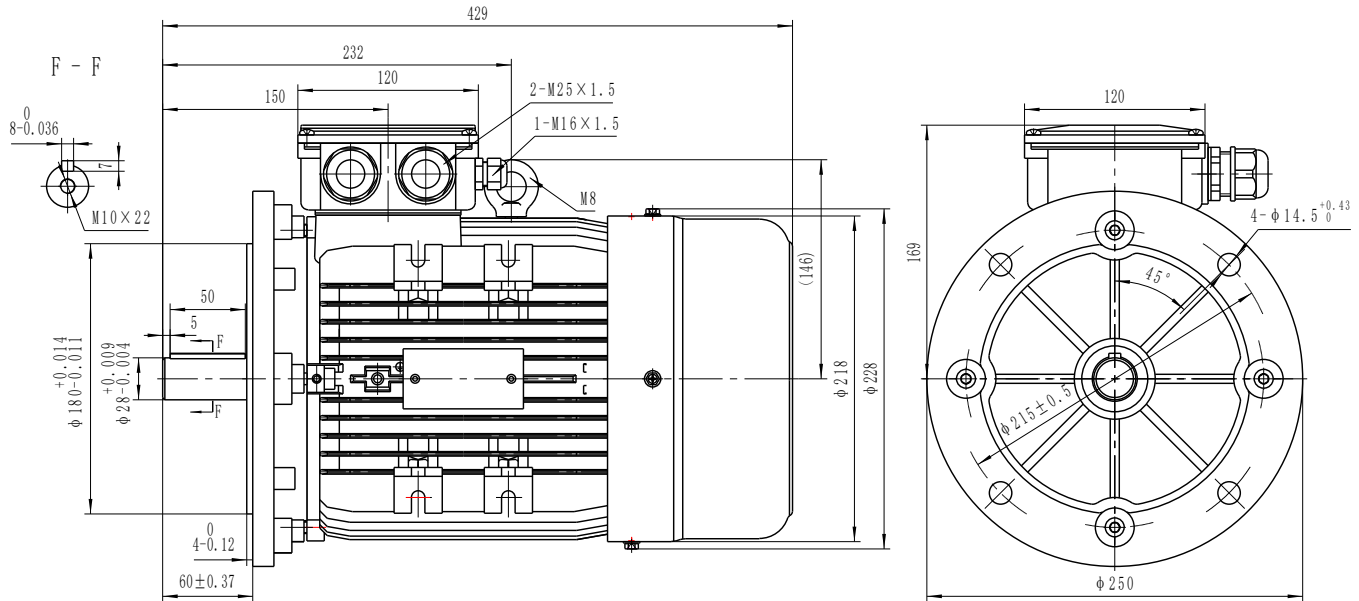


Three Phase Electric Motors-Aluminum Frame – PM1A112MC4



Type	PM1A112MC4 PTC
Frame Size	112
Capacity	5.5 kW
Speed / Pole	1430 RPM / 4 Pole
Mounting Position	IMB5
Insulation Class	F
Protection Class	IP55
Duty Cycle	S1 Continuous
Temperature Rise Class	B
Ambient temp. (°C)	45°C
Cooling method	IC411 self-Ventilated

Efficiency	IE1 Efficiency
Power Factor COS (phi)	84%
I-starting / I-nominal	7.0
T-starting / T-nominal	2.5
T-max/Tn	2.7
Full Load Torque	37Nm
Thermal protection	PTC thermistor
Noise	71dB
Bearing DE	SKF 6306 C3
Bearing NDE	SKF 6306 C3
Weight (kg)	43

Electrical data:

Rated Power (kW)	5.5	5.3	6.6	6.4			
Frequency (Hz)	50	50	60	60			
Voltage (V)	400	690	380	660	480	830	440
Speed (RPM)	1430	1430	1430	1430	1710	1710	1710
Connection	Δ	Y	Δ	Y	Δ	Y	Δ
Full load current (A)	11.6	6.7	12.2	7	11.6	6.7	12.2