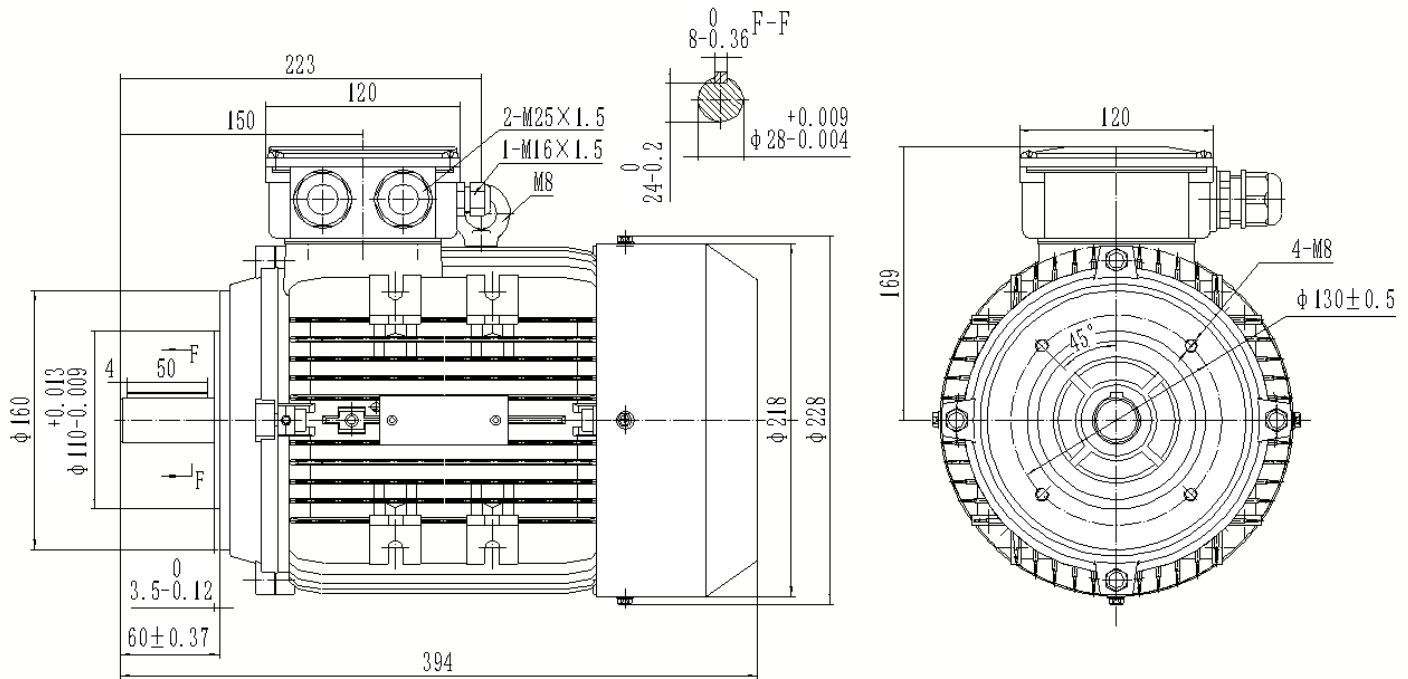


Three Phase Electric Motors-Aluminum Frame - PM1A112M4



Type	PM1A112M4 PTC
Frame Size	112
Capacity	4 kW
Speed / Pole	1430 RPM / 4 Pole
Mounting Position	IMB14
Insulation Class	F
Protection Class	IP55
Duty Cycle	S1 Continuous
Temperature Rise Class	B
Ambient temp. (°C)	45°C
Cooling method	IC411 self-Ventilated

Efficiency	IE1 Efficiency
Power Factor COS (phi)	82%
I-starting / I-nominal	7.0
T-starting / T-nominal	2.2
T-max/Tn	2.4
Full Load Torque	27Nm
Thermal protection	PTC thermistor
Noise	65dB
Bearing DE	SKF 6306 C3
Bearing NDE	SKF 6306 C3
Weight (kg)	34

Electrical data:

Rated Power (kW)	4	3.9	4.8	4.7			
Frequency (Hz)	50	50	60	60			
Voltage (V)	400	690	380	660	480	830	440
Speed (RPM)	1430	1430	1430	1430	1710	1710	1710
Connection	Δ	Y	Δ	Y	Δ	Y	Δ
Full load current (A)	8.6	5	9.1	5.24	8.6	5	9.1